

Overview of Our Factory



International Sales Department



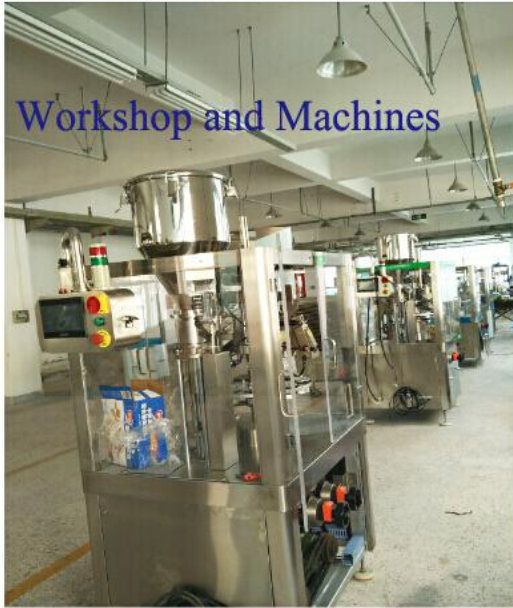
Meeting Room



R&D Center



Negotiation with Customers



温州中环智能机械有限公司

温州市高新技术开发区文锦路 50 号 : 地址

www.cpmun.com www.cnzpack.com: 网址

13567729000 0577-57755526 : 电话

0577-88116050 : 传真

sales@cnzpack.com : 邮箱

zhonghuan112233 : 微信

2880131202 : Q Q

设备报价单

2020-09-23 : 时间

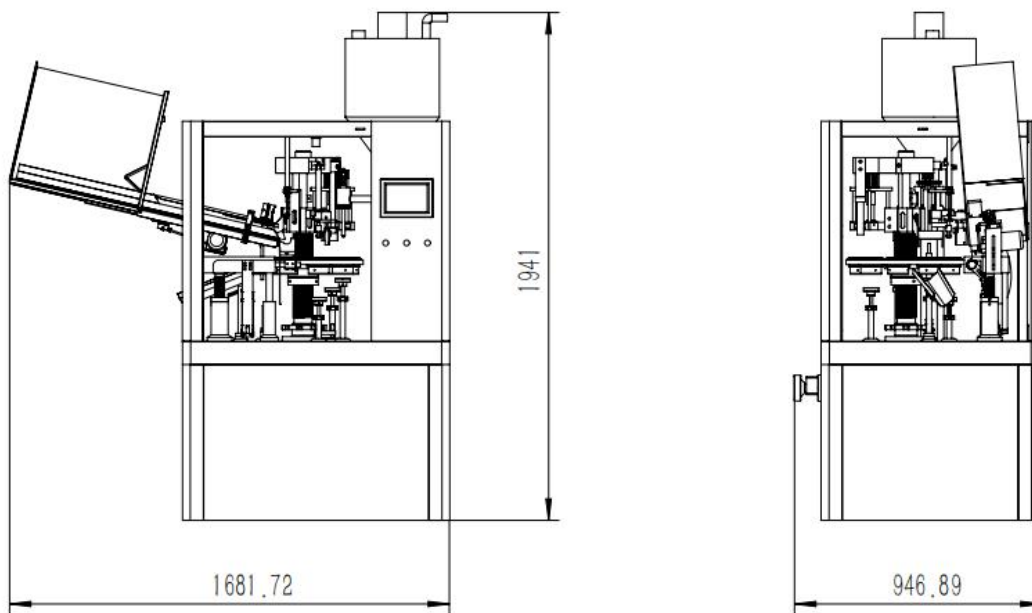
NO	Products Name	Qty	Unit(RMB)	Total (RMB)
1	ZHY-60YP 全自动软管灌装封尾机 ZHY-60YP Plastic Tube Filling and Sealing Machine	1set	95000	95000
2	CA-01 水循环冷水机 CA-01 Refrigerator	1set		
可 选 配 置	模具 (杯座及灌装头等) Mold (cup holder and filling)	1set	3000	3000
	液位控制器及柱塞式插桶泵 Level controller and plunger type pump into barrels	1set	15000	15000
	水循环加热箱、夹层料桶 Water circulation heating box Mezzanine barrel	1set	10000	10000
	搅拌装置 Stirring device	1set	6000	6000
报价: 含 13%增值税专用发票 (不含可选配置价格)			TOTAL	95000

I : 注意:此报价有效期30天 .

II : 收到样品和(30%)的首付款 (20) 工作日交货 (节假日除外)

III: 安排首付款 (30%) 备货生产, 验收合格后支付 (70%) 出货 .

(1) ZHY-60YP 全自动软管灌装封尾机



ZHY-60YP 型自动软管封尾机广泛地被牙膏、化妆品、药品及食品行业所采用。该设备自动化程度高，自动上管，自动对色标，自动封尾，打批号，自动出管。采用内加热方式，使用瑞士产“LEISTER”热风器，从软管内壁吹热风，从而熔化塑料，再打齿纹和批号。转位采用精密凸轮分度机构，定位精确平稳。主电机采用变频调速，用户可自行调整运行速度。

- ◆机械传动部分封闭在平台以下，安全可靠，无污染；
- ◆灌装封尾部分安装在平台以上，半封闭无静电外框可视罩内，易观察、易操作、易保养；
- ◆不锈钢操作板面，有机玻璃防护罩并安装门保护功能；
- ◆斜挂式管仓，可容纳较多软管，
- ◆上管装置配有真空吸附装置，上管与压管装置互动后，软管被插入上管工位；
- ◆光电对标工位，用高精度探头，步进电机等控制软管图案位于正确位置；
- ◆无管不充填，注料结束，空气吹断装置吹掉膏尾；防拉丝、防滴漏灌装
- ◆封尾加热温度采用（Leister 热风枪）管尾内部加热，外部配置冷却降温装置；
- ◆封尾的同时自动将生产批号或日期压印在工艺要求的位置上；
- ◆切废机械手剪切软管尾部废边，直角、R角或圆弧等异形封口；
- ◆故障报警，过载停机，水压保护，气压保护。

技术参数：

生产能力：40 支
充填容量：5-250ml
软管直径：15-50mm
软管长度：50-220mm
充填误差：≤±0.5%；
电机功率：主电机 1.1kw 、热封功率：3kw
工作气压：0.6MPa
耗气量：不小于 600L/min
设备重量：750kg
外型尺寸：1700*1000*2000mm

ZHY-60YP Plastic Tube Filling and Sealing Machine

ZHY-60YP automatic hose sealing machine is widely used in toothpaste, cosmetics, medicine and food industries.

The equipment has a high degree of automation, automatic loading, automatic color matching, automatic sealing, batch numbering, and automatic discharging. Using the internal heating method, the Swiss "LEISTER" hot air heater is used to blow hot air from the inner wall of the hose, thereby melting the plastic, and then marking and batch number. The indexing adopts precision cam indexing mechanism, and the positioning is accurate and stable. The main motor adopts frequency conversion speed

regulation, users can adjust the running speed by themselves.

main feature:

- ◆ The mechanical transmission part is enclosed below the platform, safe and reliable, no pollution;
- ◆ The filling and sealing part is installed above the platform, and the semi-closed static-free outer frame visible cover is easy to observe, easy to operate, and easy to maintain;
- ◆ Stainless steel operation panel surface, organic glass protective cover and installed door protection function;
- ◆ The oblique hanging tube warehouse can accommodate more hoses,
- ◆ The upper tube device is equipped with a vacuum adsorption device. After the upper tube interacts with the pressure tube device, the hose is inserted into the upper tube station;
- ◆ The photoelectric alignment station uses high-precision probes, stepper motors and other control hose patterns to be located in the correct position;
- ◆ Without tube and no filling, the end of the injection, the air blowing device blows off the paste tail; anti-drawing, anti-drip filling
- ◆ The heating temperature of the tail sealing adopts (Leister hot air gun) internal heating of the tube tail, and the outside is equipped with a cooling and cooling device;
- ◆ Automatically imprint the production batch number or date at the position required by the process while sealing the tail;
- ◆ The waste cutting manipulator cuts the waste edge of the hose tail, right-angle, R-angle or arc and other special-shaped seals;
- ◆ Fault protection, overload shutdown, water pressure protection, air pressure protection.

Technical Parameters:

Production capacity: 40 pieces

Filling capacity: 5-250ml

Hose diameter: 15-50mm

Hose length: 50-220mm

Filling error: $\leq \pm 0.5\%$;

Motor power: main motor 1.1kw, heat sealing power: 3kw

Working air pressure: 0.6MPa

Air consumption: not less than 600L / min

Equipment weight: 750kg

Dimensions: 1700 * 1000 * 2000mm

配置清单：

ITEMS名称	BRAND 品牌	ORIGIN国家
P LC 可编程控制器	DELTA 台达	TAIWAN 台湾
Frequency Changer 变频器	DELTA 台达	TAIWAN 台湾
Touch Screen 触摸屏	EVIEW 威伦	TAIWAN 台湾
Encoder 编码器	Omron 欧姆龙	JAPAN 日本
Hot Air Generator 热风枪	Leister 莱丹	Switzerland 瑞士
Thermometer MODE 温控	DELTA 台达	TAIWAN 台湾
Proximity switch 接近开关	SICK 施克	GERMANY 德国
Color Code Sensor 色标传感器	PANASONIC 松下	JAPAN 日本
Air Pressure Control System 气压控制	Omron 欧姆龙	JAPAN 日本
Change Speed Motor 调速电机	WANNAN 皖南	CHINA 中国
Main Pneumatic component 气动元件	AIRTAC 亚德客	TAIWAN 台湾
Air-break switch 空开	CHNT 正泰	CHINA 中国
Emergency Swift 急停开关	Schneider 施耐德	FRANCE 法国
Power switch 电源开关	Schneider 施耐德	FRANCE 法国
Power lock 电源锁	Schneider 施耐德	FRANCE 法国
Power indicator 电源指示灯	Schneider 施耐德	FRANCE 法国
Ac contactor 交流接触器	Schneider 施耐德	FRANCE 法国
Material Level Sensor 物料液位控制系统（可选）	P+F 倍加福	Germany 德国
Material contact parts 物料接触部分材料	316L Stainless Steel 316不锈钢	CHINA 中国
Machine Structure 机器整体结构	304 Stainless steel 304不锈钢	CHINA 中国





(2) CA-01 水循环冷水机



性能特点:

微电脑 PLC 控制系统，可自动控制整机运行，多功能防错操作系统。

电气部分均为国际品牌“施耐德”原厂产品，保证冷水机工作稳定，使用寿命长。

全钛管式水箱蒸发器，防止纯水在输送过程中产生固体和其它金属杂质。

我司冷水机规格多样、型号齐全，适合于不同功率的封尾机上使用。配备精密数显温度控制器，精确控制水温 $\pm 1^{\circ}\text{C}$ ($\pm 0.1^{\circ}\text{C}$)。按键式操作，非专业人员均能正常操作。

冷水机安装简便，无论冷水机与主机高度是否匹配，均可正常开机使用。

此类冷水机的高效率换热器采用独特设计，静电喷塑外壳，精美小巧。

技术参数:

压缩功率: 0.95KW

制冷量: 2.85KW

泵功率: 0.25KW

制冷剂: R22

电源: 1P-200V/50HZ

CA-01Chiller water cycle

Microcomputer PLC control system, automatically control of whole units with error correcting operation system.

Original "SCHNEIDER" electrical components, and stability and durability guaranteed.

Built-in titanium tube water tank evaporator, avoid solid and other metal impurities.

Various models designed for different laser equipments. Water temperature tolerance at $\pm 1^{\circ}\text{C}$ (even $\pm 0.1^{\circ}\text{C}$) by precise digital control system. With push button operation, work normally without professional personnel.

Easy installation and compatible with equipments in any height.

High efficiency heat exchanger in special design, and static spraying casing with compact size.

Technical parameters:

power of compressor :0.95KW

cooling capacity: 2.85KW

Pump power: 0.25KW

Refri gerant:R22

Power supply:1P-220V/50HZ

包装细节图:



可选配置:



模具（杯座及灌装头等）
Mold (cup holder and filling)



液位控制器及柱塞式插桶泵
Level controller and plunger type pump into barrels



水循环加热箱、双层料桶
Water circulation heating box Mezzanine barrel



搅拌装置
Stirring device